



EXTRACTAVENT - REV 104B

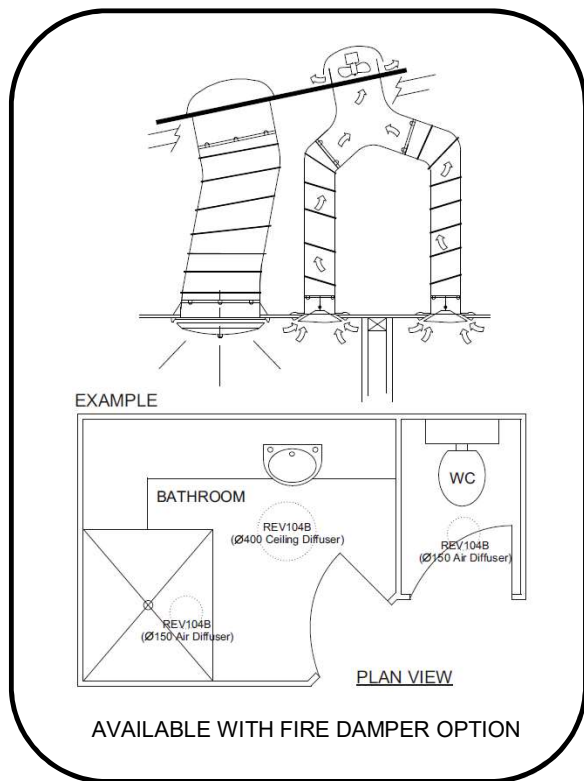
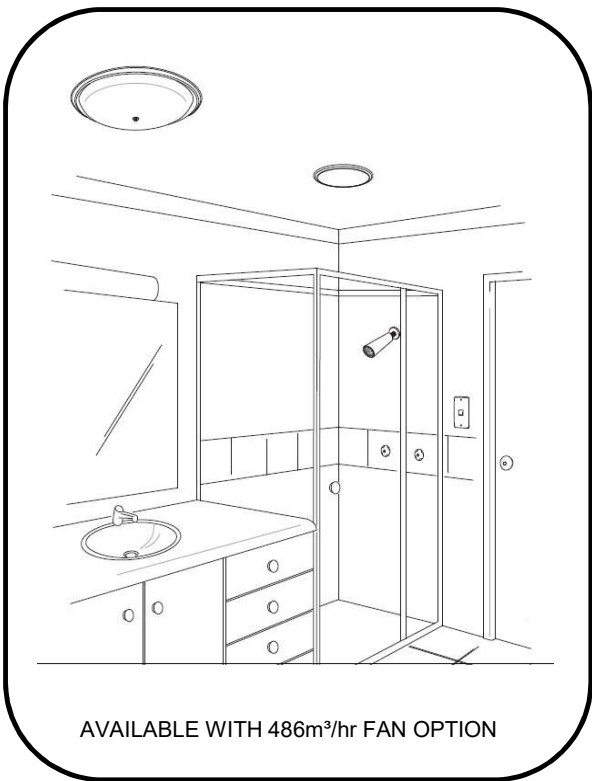
AVAILABLE FOR ALL ROOF TYPES

The Rev 104B is an innovative natural lighting and ventilation system. A press-formed one piece base allows the product to mate perfectly with the roof type / profile. This, combined with a SINGLE PENETRATION TO THE ROOF, incorporating both the skylight dome and an all weather exhaust fan, eliminates leaking problems, and increases the service life of the product and the roof. Separate 400mm dia. light and 150mm dia air shafts allow for vent positioning directly over baths, showers, toilets, basin vanities and for multi-room applications

The product is ideal for adjoining bathrooms, toilets, ensuites. It is the perfect solution for meeting building code and local authority requirements.

FAN CAPACITY

AIR MOVEMENT	FAN THROAT	POWER	HERTZ
328m ³ /hr	∅ 213mm	35 W	50Hz



REGENT SKYLIGHTS

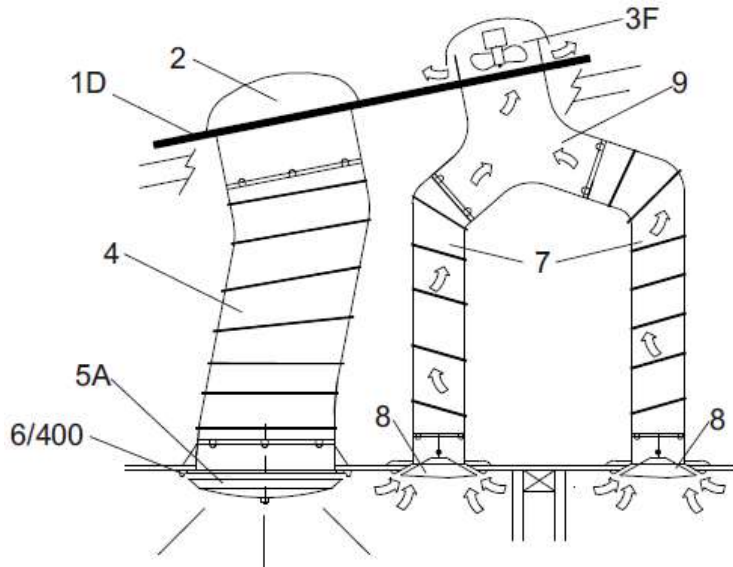
The skylight system illustrations contained in this brochure are the sole property of Regent Skylights and are reserved under copyright law. It is the responsibility of the user to ensure that the selected skylight system complies with the relevant building codes and authorities requirements. Regent Skylights reserves the right to improve or modify the skylight systems at any time. Zinalume® and Colorbond® are registered trademarks of BlueScope Steel Limited. All Wiring and connections to power must be carried out by a licensed electrical contractor to SAA wiring rules.



ARCHITECTURAL SPECIFICATION:

Lighting and Ventilation system shall be REGENT REV104B, complete with one piece pressed metal base, high impact prismatic dome, exhaust fan, separate light shaft using highly reflective FLEXILIGHT shaft and double air shaft, with light diffuser and air diffusers (x2) at ceiling level. Installation shall in accordance with manufacturer's printed instructions.

COMPONENT LIST:		
PART No.	QTY	DESCRIPTION
1D	1	preflashed base with separate light and double air shaft
2	1	prismatic dome
3F	1	150mm Exhaust fan
4	1	1.5m light shaft 400DIA
5A	1	400 light diffuser and ceiling trim
6/400	1	400 vented ceiling trim fixings
7	2	1.5m air shaft x 150mm
8	1	150 air diffuser
9	1	"Y"air branch



ORDERING INFORMATION

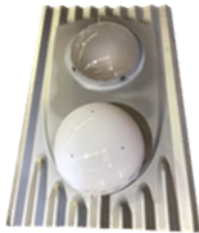
Contact your local distributor for further details

1. SELECT REV MODEL REV104B

2. SELECT ROOF TYPE

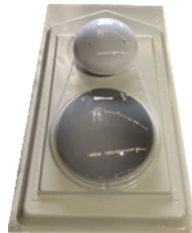
CORRUGATED IRON
ORDER CODE: CLX

Suits Corrugated roofs (profile offered is manufactured to match Custom Orb® and similar)



UNIVERSAL METAL DECK
ORDER CODE: UMD

Suits most forms of metal deck roofing with rib heights of up to 50mm



TILED
ORDER CODE: ZTS

A lead free Zinalume® base that suits all types of concrete, metal and clay tiles*.



3. SELECT ACCESSORIES (IF REQUIRED)

Standard kits include 1.5m shafts and Zinalume® flashing

*Adapters can be supplied on request for Wunderlich Swiss and similar high profile tiles

ADDITIONAL AIR SHAFT REQUIRED

metres
NOMINATE EXTRA LENGTH

ADDITIONAL LIGHT SHAFT REQUIRED

metres
NOMINATE EXTRA LENGTH

PAINTED FINISH

NOMINATE COLOUR

FIRE DAMPERS

NUMBER REQUIRED

REGENT SKYLIGHTS
A.B.N 52 001 918 494
836 Boundary Road
Coopers Plains, QLD 4108

REGENT SKYLIGHTS
A.B.N 52 001 918 494
Unit 4 / 30 Artisan Road
Seven Hills, NSW 2147

LOCAL DISTRIBUTOR: